

Revolving Ball Knobs

Plastic, Spindle Stainless Steel

SPECIFICATION

Types

- Type **A**: With threaded stud
- Type **B**: With internal thread

Knob

Plastic, phenolic resin (PF)

- Operating temperature up to 110 °C
- Black, shiny finish

Spindle

Stainless steel AISI 303
Matte shot-blasted

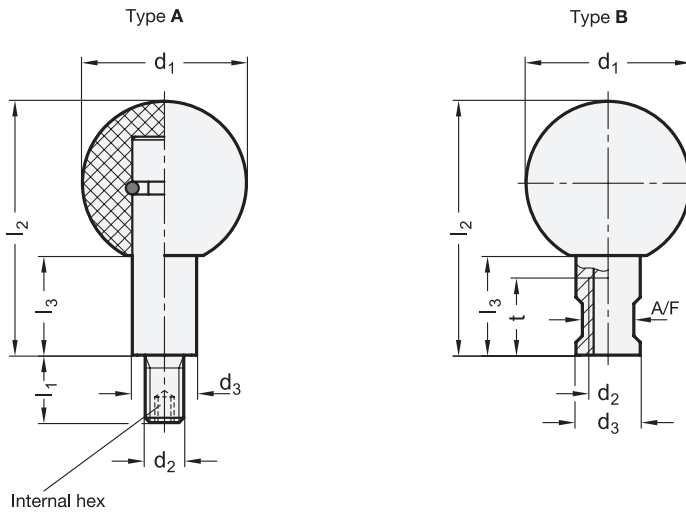


INFORMATION

Revolving ball knobs GN 319.5 are in general used where a pulling action is involved such as on vertically positioned handwheels.

TECHNICAL INFORMATION

- Plastic Characteristics (see page A2)
- Stainless Steel Characteristics (see page A26)



GN 319.5-A

STAINLESS STEEL

Description	d_1	d_2	d_3	l_1	$l_2 \pm 1$	$l_3 \pm 1$	A/F	t min.	
GN 319.5-25-M6-A	25	M 6	10	11	37,5	15	8	10	30
GN 319.5-32-M8-A	32	M 8	13	13	48	19	10	12	65
GN 319.5-40-M10-A	40	M 10	16	14	61	24	14	16	123
GN 319.5-50-M12-A	50	M 12	20	21	78	31	17	16	237

GN 319.5-B

STAINLESS STEEL

Description	d_1	d_2	d_3	l_1	$l_2 \pm 1$	$l_3 \pm 1$	A/F	t min.	
GN 319.5-25-M6-B	25	M 6	10	11	37,5	15	8	10	24
GN 319.5-32-M8-B	32	M 8	13	13	48	19	10	12	51
GN 319.5-40-M10-B	40	M 10	16	14	61	24	14	16	100
GN 319.5-50-M12-B	50	M 12	20	21	78	31	17	16	198